



# Freestanding — Protective Screens

The Muraflex Protective Screens are freestanding and require no installation. Made of plexiglass, the screens are lightweight and easily moveable.

There are two standard models: a countertop and a floor model. The countertop model has a transactional slot at the bottom and the floor model comes with an optional transactional slot.

With expeditive leadtimes and no need for installation, you can quickly benefit from our protective screens to safely interact with others.



The Counter freestanding Protective Screen with transactional slot



The Floor freestanding Protective Screen with transactional slot

# Freestanding — Protective Screens

The Muraflex Protective Screens are freestanding and require no installation. Made of plexiglass, the screens are lightweight and easily moveable.

## Countertop Protective Screen

### Description

Freestanding Countertop Protective Screen

### Dimensions

Acrylic Panel: H31.5" x W36" x D1/8"

Maximum width (assembled) : 8"

Maximum height (assembled): 36"

### Finish

Anodized Clear Aluminum

### Lead Times

5-7 business days

### Cost

\$159.00 USD

\*Transport not included

\*Taxes not included

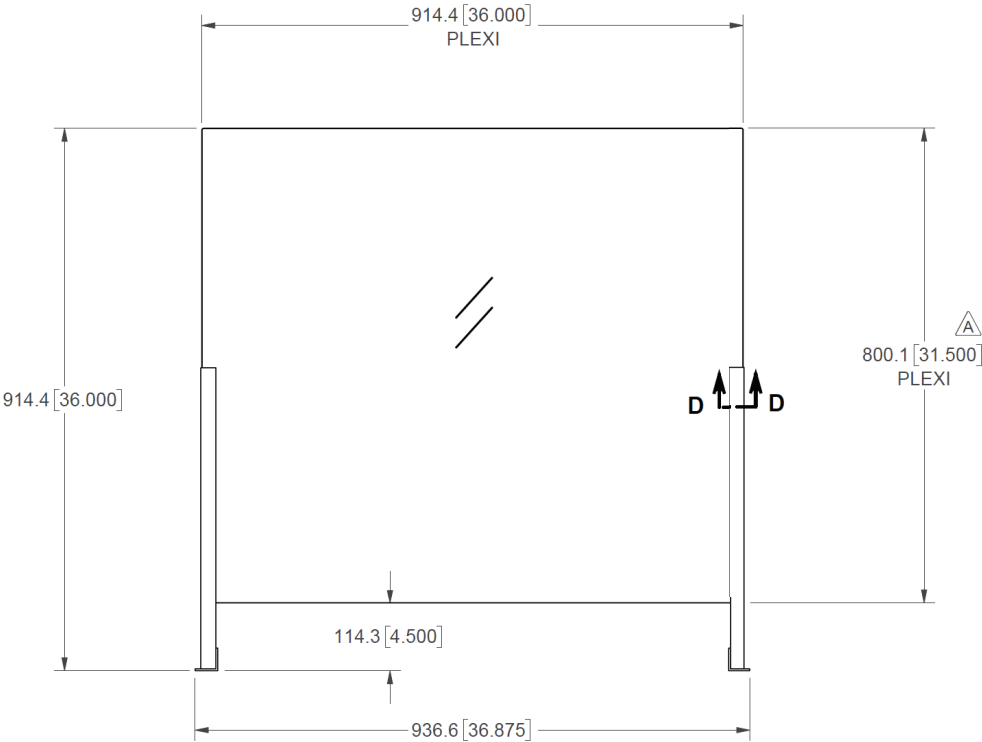


Clear Anodized Aluminum Finish

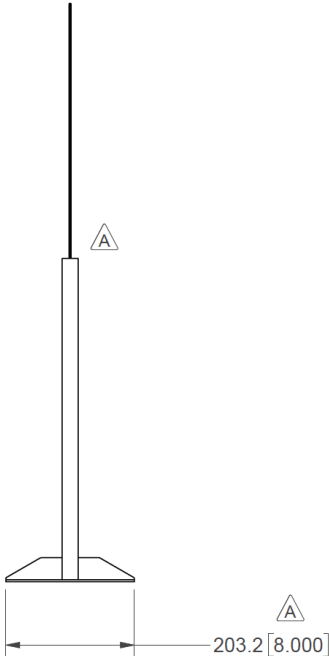
\*Image may not accurately reflect actual finish



# Freestanding Protective Screens



View 1. Elevation



View 2. Section

# Freestanding — Protective Screens

The Muraflex Protective Screens are freestanding and require no installation. Made of plexiglass, the screens are lightweight and easily moveable.

## Floor Protective Screen

### Description

Freestanding Floor Protective Screen

### Dimensions

Acrylic Panel: D1/8"

Maximum width (assembled): 48"

Maximum height (assembled): 96-1/8"

Maximum depth: 24"

### Finish

Anodized Clear Aluminum

### Lead Times

5-7 business days

### Cost

\$519.00 USD

\*Transport not included

\*Taxes not included

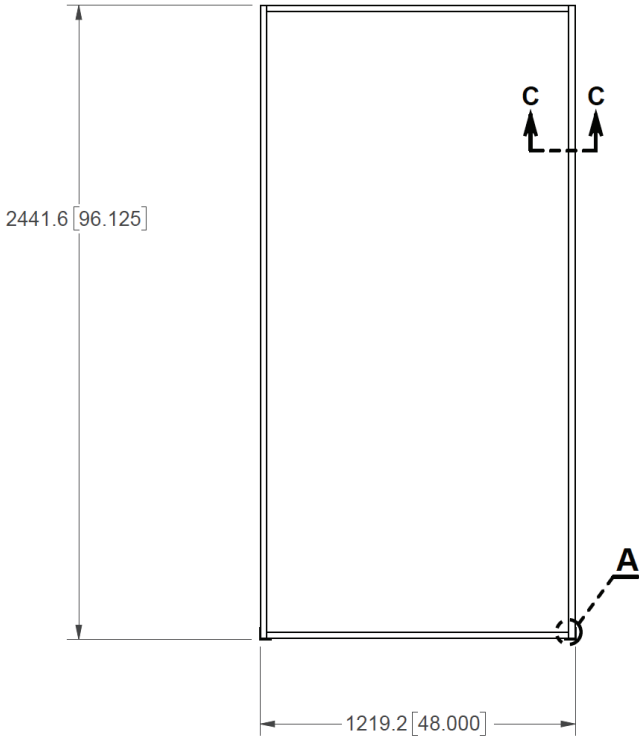


Clear Anodized Aluminum Finish

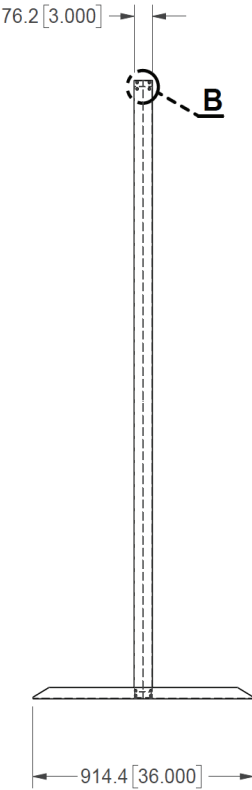
\*Image may not accurately reflect actual finish



# Freestanding Protective Screens



View 1. Elevation



View 2. Section